

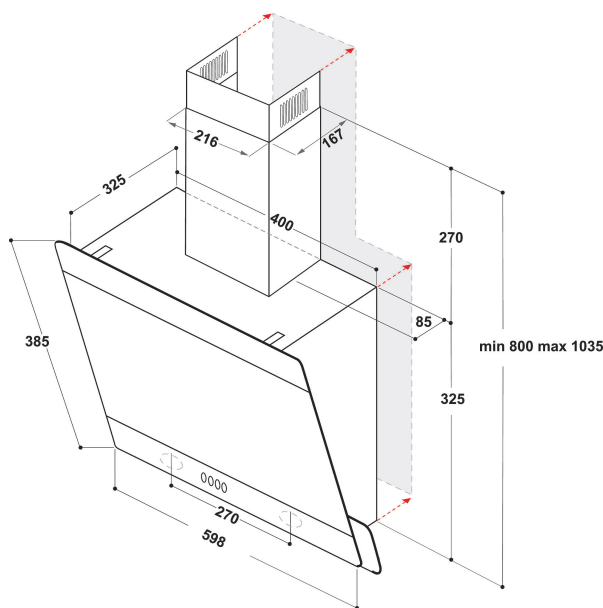
WHVP 65F LM K

12NC: 859991629270

GTIN (EAN) code: 8003437621376

Whirlpool

SENSING THE DIFFERENCE



MAIN FEATURES

MAIN FEATURES	
Product group	SPORÁKOVÉ ODSAVAČE PAR
Colour body	Černá
Material body	Metal / glass
Colour chimney	Černá
Material chimney	Metal
Typology	Manual
Installation type	Volně stojící
Type of control	Electronic
Type of control settings	-
Decor panel options	N/A
Motor location	Integrated motor in hood body
Operating Mode	Convertible
Electrical connection rating (W)	142
Current (A)	1,1
Voltage (V)	220-240
Frequency (Hz)	50
Length of Electrical Supply Cord (cm)	150
Plug type	Schuko
Chimney height (mm)	-
Height of product, without chimney (mm)	325
Height of the product	360
Width of the product	598
Depth of the product	326
Minimum niche height	0
Minimum niche width	0
Niche depth	0
Net weight (kg)	12

TECHNICAL FEATURES

TECHNICAL FEATURES	
Type of manual control devices	Buttons
Type of automatic control devices	-
Number of motors	1
Total power of the motors (W)	140
Number of speed settings: boost option availability	3
Boost presence	Ne
Maximum output air extraction (m ³ /h)	375
Boost position air extraction (m ³ /h)	0
Maximum output recirculating air (m ³ /h)	310
Boost position output recirculating (m ³ /h)	0
Light Control Type	On/Off
Number of lights	2
Type of lamps used	LED
Total power of the lamps (W)	2
Diameter of air outlet (mm)	150
No-return airflow flap	Ne
Grease filter material	Washable aluminium
Odour filter	Ano

ENERGETICKÝ ŠTÍTEK

Sound power at min. speed (2010/30/EU)	55
Sound power at max. speed (2010/30/EU)	60
Noise level with boost position (dB(A) re 1 pW)	0